

SYSTEM 1 2 3  
*dining & lounge chair*

*Design by* VERNER PANTON

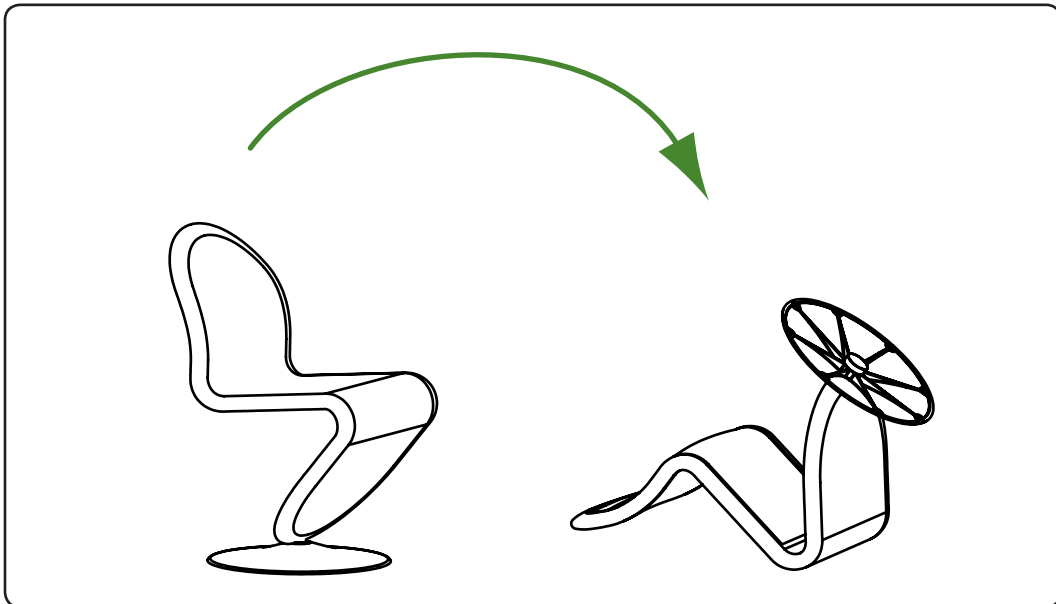
**1**

**The chair is mounting with a turnable function. If you wish to change the function of the chair to locked please follow this instruction. Otherwise the chair is ready to use.**

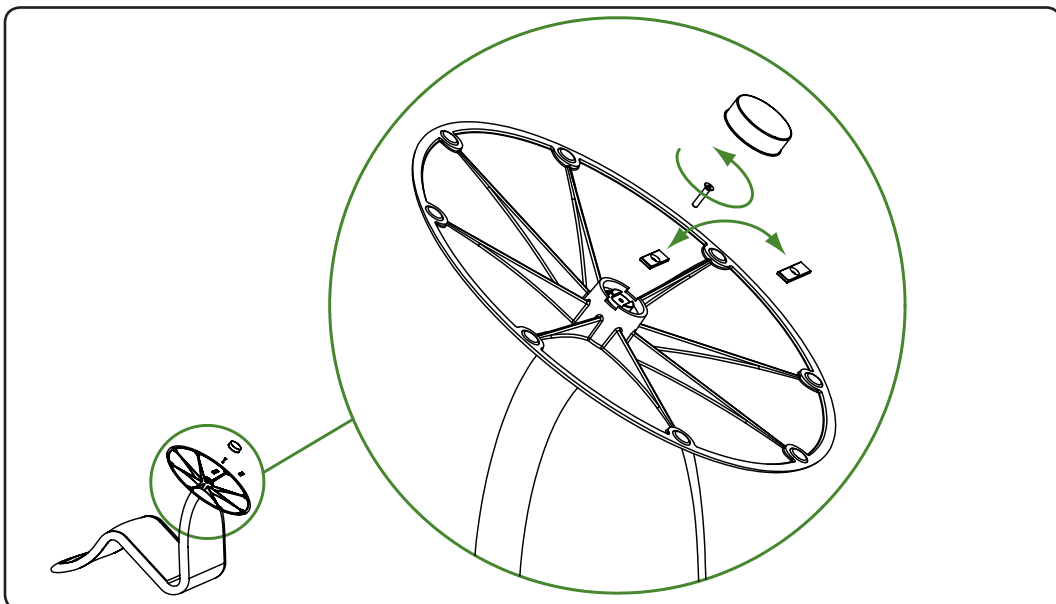
**Important!**  
**To avoid damaging the substrate, we recommend that the attached filter knobs to be placed on the bottom, before the chair is used.**

**Notice!**  
**The System 1 2 3 chair is for indoor use only!**

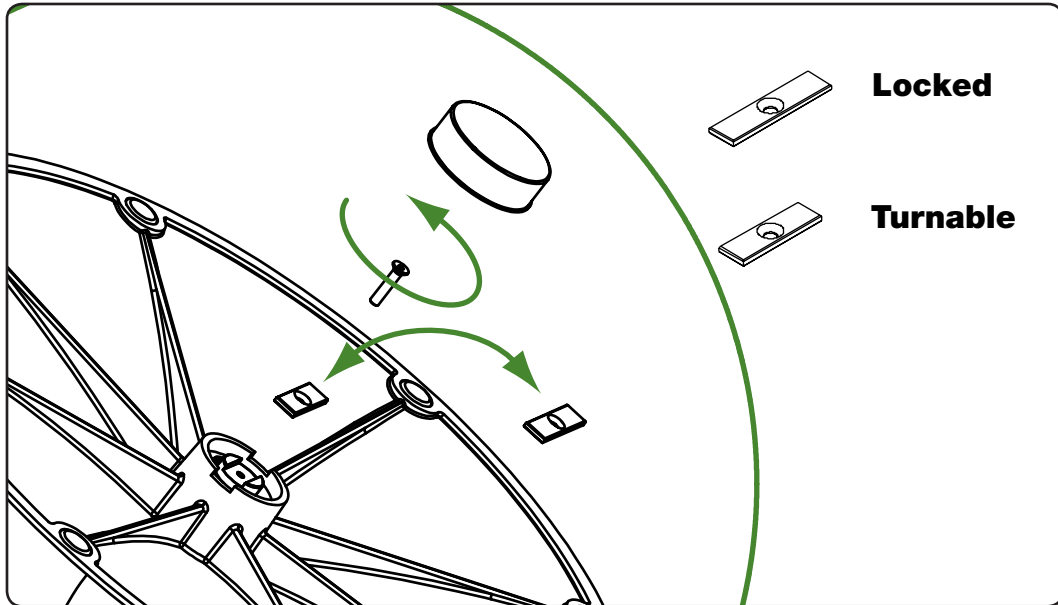
**2**



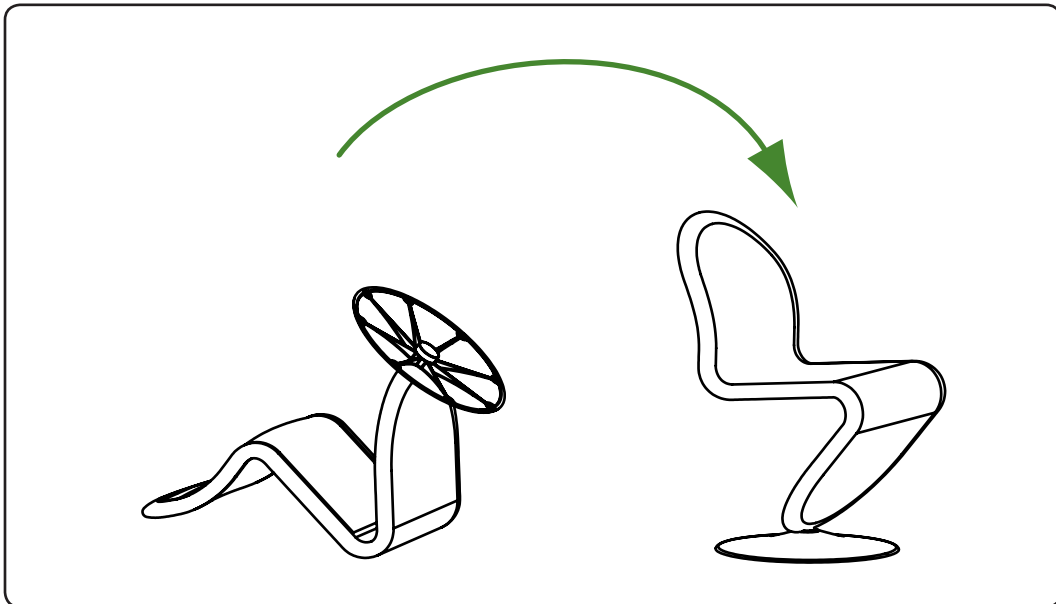
**3**



4



5



6

### Maintenance of System 1 2 3:

**Footplate:** wipe off with a damp cloth. – Grease stains can be removed with soapy water.

**Fabric:** Regular cleaning is important in order to keep the upholstery looking its best and to prolong its life. Dust and dirt wear the textile and also reduce its fire-retardant properties.

Vacuum frequently on medium power, ideally every week. Remove non-greasy stains by carefully dabbing with a lint-free cloth or sponge wrung out in clean warm water. Afterwards, if necessary, clean by dabbing with soapy water or water with a little washing-up liquid added. See formulae. Finally, dab the surface with clean, tepid water.

DESIGNED  
IN THE PAST  
**MADE FOR**  
**TOMORROW**

VERPAN ApS  
*Egeskovvej 29*  
8700 Horsens  
Denmark

[www.verpan.com](http://www.verpan.com)

[info@verpan.dk](mailto:info@verpan.dk)